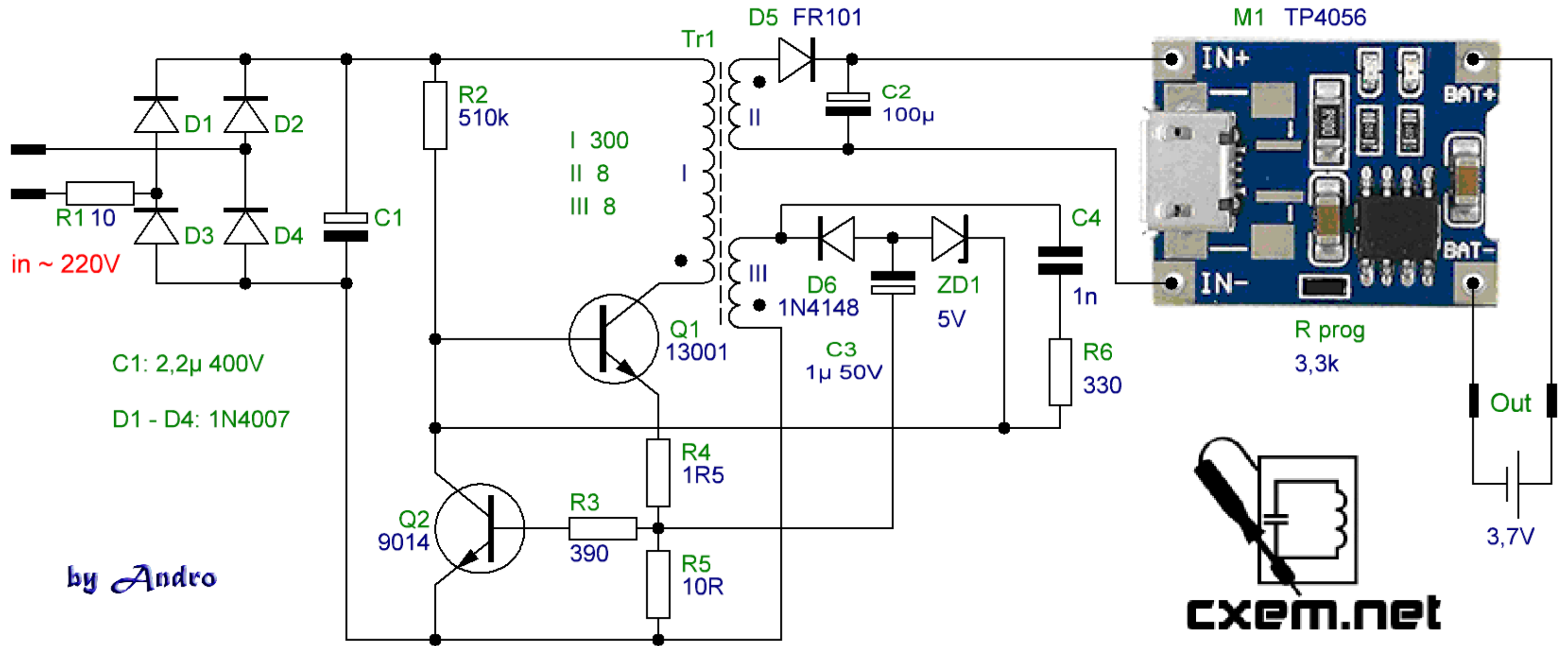


# 1S Li-ion 350mA Charger



## **Component list**

C1 = 1 x 2,2 $\mu$  400V

C2 = 1 x 100 $\mu$

C3 = 1 x 1 $\mu$  50V

C4 = 1 x 1n

R1 = 1 x 10

R2 = 1 x 510k

R3 = 1 x 390

R4 = 1 x 1R5

R5 = 1 x 10R

R6 = 1 x 330

R prog = 1 x 3,3k

D1,D2,D3,D4 = 4 x 1N4007

D5 = 1 x FR101

D6 = 1 x 1N4148

ZD1 = 1 x 5V

Q1 = 1 x 13001

Q2 = 1 x 9014

M1 = 1 x TP4056

Tr1 = 1 x E24/12/6 300-8-8