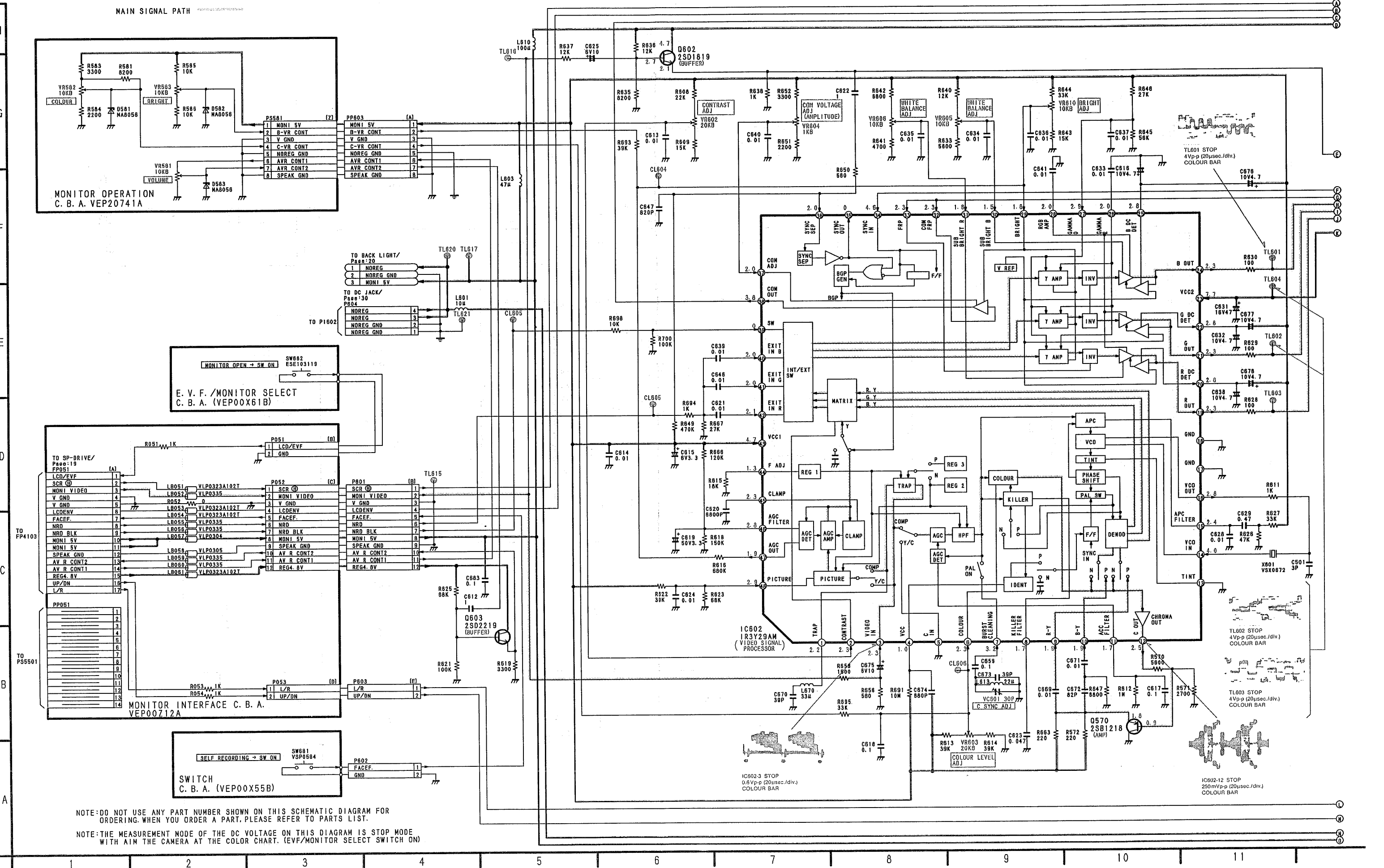


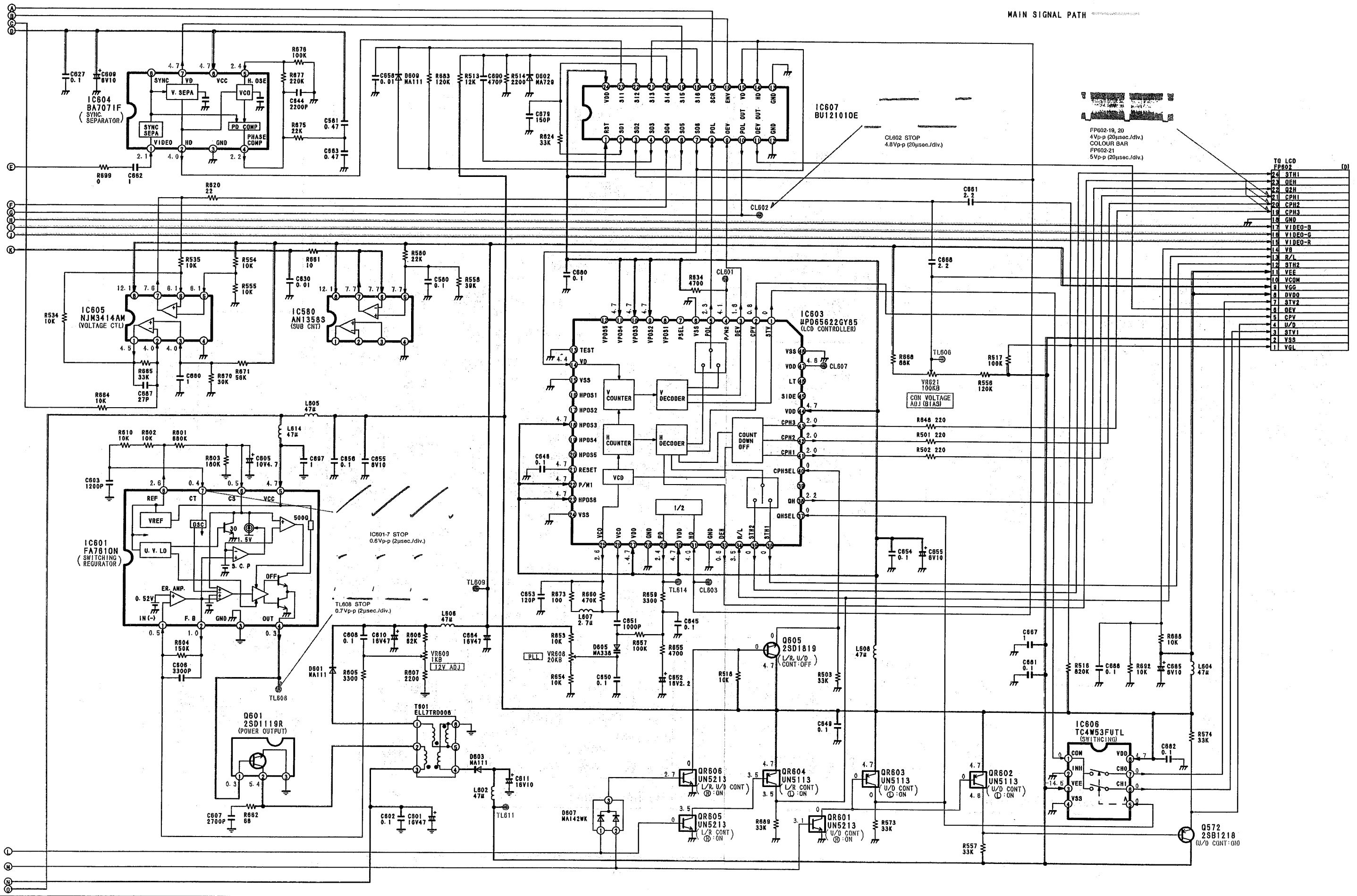
18. MONITOR SCHEMATIC DIAGRAM NV-VX70 Only



NOTE: DO NOT USE ANY PART NUMBER SHOWN ON THIS SCHEMATIC DIAGRAM FOR ORDERING. WHEN YOU ORDER A PART, PLEASE REFER TO PARTS LIST.

NOTE: THE MEASUREMENT MODE OF THE DC VOLTAGE ON THIS DIAGRAM IS STOP MODE WITH AIM THE CAMERA AT THE COLOR CHART. (EVF/MONITOR SELECT SWITCH ON)

MAIN SIGNAL PATH



- TO LCD FP602
- 24 STH1
- 23 OEH
- 22 QZH
- 21 CPH1
- 20 CPH2
- 19 CPH3
- 18 GND
- 17 VIDEO-B
- 16 VIDEO-G
- 15 VIDEO-R
- 14 VB
- 13 STH2
- 12 VEE
- 11 VCOM
- 10 VGG
- 9 DVDD
- 8 STV2
- 7 CPV
- 6 U/D
- 5 STV1
- 4 VSS
- 3 VGL