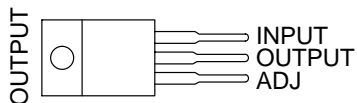


# LM317 3-TERMINAL ADJUSTABLE REGULATOR

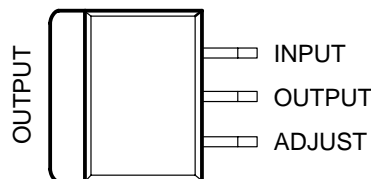
SLVS0440 – SEPTEMBER 1997 – REVISED JULY 2003

- Output Voltage Range Adjustable From 1.25 V to 37 V
- Output Current Greater Than 1.5 A
- Internal Short-Circuit Current Limiting
- Thermal Overload Protection
- Output Safe-Area Compensation

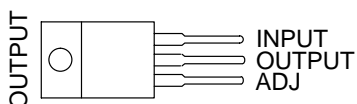
KC (TO-220) PACKAGE  
(TOP VIEW)



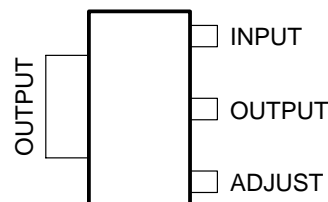
KTE PACKAGE  
(TOP VIEW)



KCS (TO-220) PACKAGE  
(TOP VIEW)



DCY (SOT-223) PACKAGE  
(TOP VIEW)



## description/ordering information

The LM317 is an adjustable three-terminal positive-voltage regulator capable of supplying more than 1.5 A over an output-voltage range of 1.25 V to 37 V. It is exceptionally easy to use and requires only two external resistors to set the output voltage. Furthermore, both line and load regulation are better than standard fixed regulators.

## ORDERING INFORMATION

| T <sub>J</sub> | PACKAGE†                     |              | ORDERABLE PART NUMBER | TOP-SIDE MARKING |
|----------------|------------------------------|--------------|-----------------------|------------------|
| 0°C to 125°C   | POWER-FLEX (KTE)             | Reel of 2000 | LM317KTER             | LM317            |
|                | SOT-223 (DCY)                | Tube of 80   | LM317DCY              | L3               |
|                |                              | Reel of 2500 | LM317DCYR             |                  |
|                | TO-220 (KC)                  | Tube of 50   | LM317KC               | LM317            |
|                | TO-220, short shoulder (KCS) | Tube of 20   | LM317KCS              |                  |

† Package drawings, standard packing quantities, thermal data, symbolization, and PCB design guidelines are available at [www.ti.com/sc/package](http://www.ti.com/sc/package).



Please be aware that an important notice concerning availability, standard warranty, and use in critical applications of Texas Instruments semiconductor products and disclaimers thereto appears at the end of this data sheet.

PRODUCTION DATA information is current as of publication date. Products conform to specifications per the terms of Texas Instruments standard warranty. Production processing does not necessarily include testing of all parameters.

 **TEXAS  
INSTRUMENTS**

POST OFFICE BOX 655303 • DALLAS, TEXAS 75265

Copyright © 2003, Texas Instruments Incorporated

# LM317

## 3-TERMINAL ADJUSTABLE REGULATOR

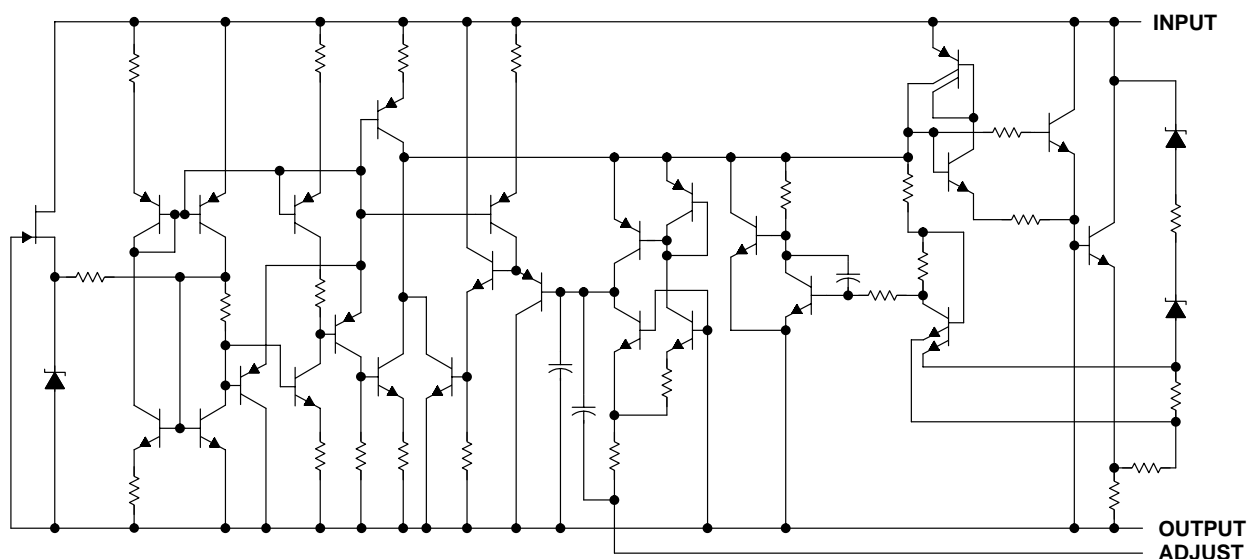
SLVS0440 – SEPTEMBER 1997 – REVISED JULY 2003

### description/ordering information (continued)

In addition to having higher performance than fixed regulators, this device includes on-chip current limiting, thermal overload protection, and safe-operating-area protection. All overload protection remains fully functional, even if the ADJUST terminal is disconnected.

The LM317 is versatile in its applications, including uses in programmable output regulation and local on-card regulation. Or, by connecting a fixed resistor between the ADJUST and OUTPUT terminals, the LM317 can function as a precision current regulator. An optional output capacitor can be added to improve transient response. The ADJUST terminal can be bypassed to achieve very high ripple-rejection ratios, which are difficult to achieve with standard three-terminal regulators.

### schematic diagram



### absolute maximum ratings over virtual junction temperature range (unless otherwise noted)†

|                                                                    |                |
|--------------------------------------------------------------------|----------------|
| Input-to-output differential voltage, $V_I - V_O$ .....            | 40 V           |
| Operating virtual junction temperature, $T_J$ .....                | 150°C          |
| Lead temperature 1,6 mm (1/16 inch) from case for 10 seconds ..... | 260°C          |
| Storage temperature range, $T_{stg}$ .....                         | -65°C to 150°C |

† Stresses beyond those listed under “absolute maximum ratings” may cause permanent damage to the device. These are stress ratings only, and functional operation of the device at these or any other conditions beyond those indicated under “recommended operating conditions” is not implied. Exposure to absolute-maximum-rated conditions for extended periods may affect device reliability.

### package thermal data (see Note 1)

| PACKAGE          | BOARD             | $\theta_{JC}$ | $\theta_{JA}$ |
|------------------|-------------------|---------------|---------------|
| POWER-FLEX (KTE) | High K, JESD 51-5 | 3°C/W         | 23°C/W        |
| SOT-223 (DCY)    | High K, JESD 51-7 | 4°C/W         | 53°C/W        |
| TO-220 (KC/KCS)  | High K, JESD 51-5 | 3°C/W         | 19°C/W        |

NOTE 1: Maximum power dissipation is a function of  $T_J(\max)$ ,  $\theta_{JA}$ , and  $T_A$ . The maximum allowable power dissipation at any allowable ambient temperature is  $P_D = (T_J(\max) - T_A)/\theta_{JA}$ . Operating at the absolute maximum  $T_J$  of 150°C can affect reliability.



POST OFFICE BOX 655303 • DALLAS, TEXAS 75265

# LM317

## 3-TERMINAL ADJUSTABLE REGULATOR

SLVS0440 – SEPTEMBER 1997 – REVISED JULY 2003

### recommended operating conditions

|                                                  | MIN | MAX | UNIT |
|--------------------------------------------------|-----|-----|------|
| $V_I - V_O$ Input-to-output voltage differential | 3   | 37  | V    |
| $I_O$ Output current                             |     | 1.5 | A    |
| $T_J$ Operating virtual junction temperature     | 0   | 125 | °C   |

### electrical characteristics over recommended ranges of operating virtual junction temperature (unless otherwise noted)

| PARAMETER                                   | TEST CONDITION <sup>†</sup>                                                                                 | MIN                                                            | TYP                   | MAX  | UNIT          |         |
|---------------------------------------------|-------------------------------------------------------------------------------------------------------------|----------------------------------------------------------------|-----------------------|------|---------------|---------|
| Line regulation <sup>‡</sup>                | $V_I - V_O = 3\text{ V to }40\text{ V}$                                                                     | $T_J = 25^\circ\text{C}$                                       | 0.01                  | 0.04 | %V            |         |
|                                             |                                                                                                             | $T_J = 0^\circ\text{C to }125^\circ\text{C}$                   | 0.02                  | 0.07 |               |         |
| Load regulation                             | $I_O = 10\text{ mA to }1500\text{ mA}$                                                                      | $C_{ADJ} = 10\ \mu\text{F}^{\S}$ ,<br>$T_J = 25^\circ\text{C}$ | $V_O \leq 5\text{ V}$ |      | 25            | mV      |
|                                             |                                                                                                             |                                                                | $V_O \geq 5\text{ V}$ | 0.1  | 0.5           | % $V_O$ |
|                                             |                                                                                                             | $T_J = 0^\circ\text{C to }125^\circ\text{C}$                   | $V_O \leq 5\text{ V}$ | 20   | 70            | mV      |
|                                             |                                                                                                             |                                                                | $V_O \geq 5\text{ V}$ | 0.3  | 1.5           | % $V_O$ |
| Thermal regulation                          | 20-ms pulse, $T_J = 25^\circ\text{C}$                                                                       | 0.03                                                           | 0.07                  |      | % $V_O/W$     |         |
| ADJUST terminal current                     |                                                                                                             | 50                                                             | 100                   |      | $\mu\text{A}$ |         |
| Change in ADJUST terminal current           | $V_I - V_O = 2.5\text{ V to }40\text{ V}$ , $P_D \leq 20\text{ W}$ , $I_O = 10\text{ mA to }1500\text{ mA}$ |                                                                | 0.2                   | 5    | $\mu\text{A}$ |         |
| Reference voltage                           | $V_I - V_O = 3\text{ V to }40\text{ V}$ , $P_D \leq 20\text{ W}$ , $I_O = 10\text{ mA to }1500\text{ mA}$   | 1.2                                                            | 1.25                  | 1.3  | V             |         |
| Output-voltage temperature stability        | $T_J = 0^\circ\text{C to }125^\circ\text{C}$                                                                |                                                                | 0.7                   |      | % $V_O$       |         |
| Minimum load current to maintain regulation | $V_I - V_O = 40\text{ V}$                                                                                   |                                                                | 3.5                   | 10   | mA            |         |
| Maximum output current                      | $V_I - V_O \leq 15\text{ V}$ , $P_D < P_{MAX}$ (see Note 1)                                                 | 1.5                                                            | 2.2                   |      | A             |         |
|                                             | $V_I - V_O \leq 40\text{ V}$ , $P_D < P_{MAX}$ (see Note 1), $T_J = 25^\circ\text{C}$                       | 0.15                                                           | 0.4                   |      |               |         |
| RMS output noise voltage (% of $V_O$ )      | $f = 10\text{ Hz to }10\text{ kHz}$ , $T_J = 25^\circ\text{C}$                                              |                                                                | 0.003                 |      | % $V_O$       |         |
| Ripple rejection                            | $V_O = 10\text{ V}$ , $f = 120\text{ Hz}$                                                                   | $C_{ADJ} = 0\ \mu\text{F}^{\S}$                                |                       | 57   | dB            |         |
|                                             |                                                                                                             | $C_{ADJ} = 10\ \mu\text{F}^{\S}$                               | 62                    | 64   |               |         |
| Long-term stability                         | $T_J = 25^\circ\text{C}$                                                                                    |                                                                | 0.3                   | 1    | %/1k Hrs      |         |

<sup>†</sup> Unless otherwise noted, the following test conditions apply:  $|V_I - V_O| = 5\text{ V}$  and  $I_{O\text{MAX}} = 1.5\text{ A}$ ,  $T_J = 0^\circ\text{C to }125^\circ\text{C}$ . Pulse testing techniques are used to maintain the junction temperature as close to the ambient temperature as possible.

<sup>‡</sup> Line regulation is expressed here as the percentage change in output voltage per 1-V change at the input.

<sup>§</sup>  $C_{ADJ}$  is connected between the ADJUST terminal and GND.

NOTE 1: Maximum power dissipation is a function of  $T_J(\text{max})$ ,  $\theta_{JA}$ , and  $T_A$ . The maximum allowable power dissipation at any allowable ambient temperature is  $P_D = (T_J(\text{max}) - T_A)/\theta_{JA}$ . Operating at the absolute maximum  $T_J$  of  $150^\circ\text{C}$  can affect reliability.

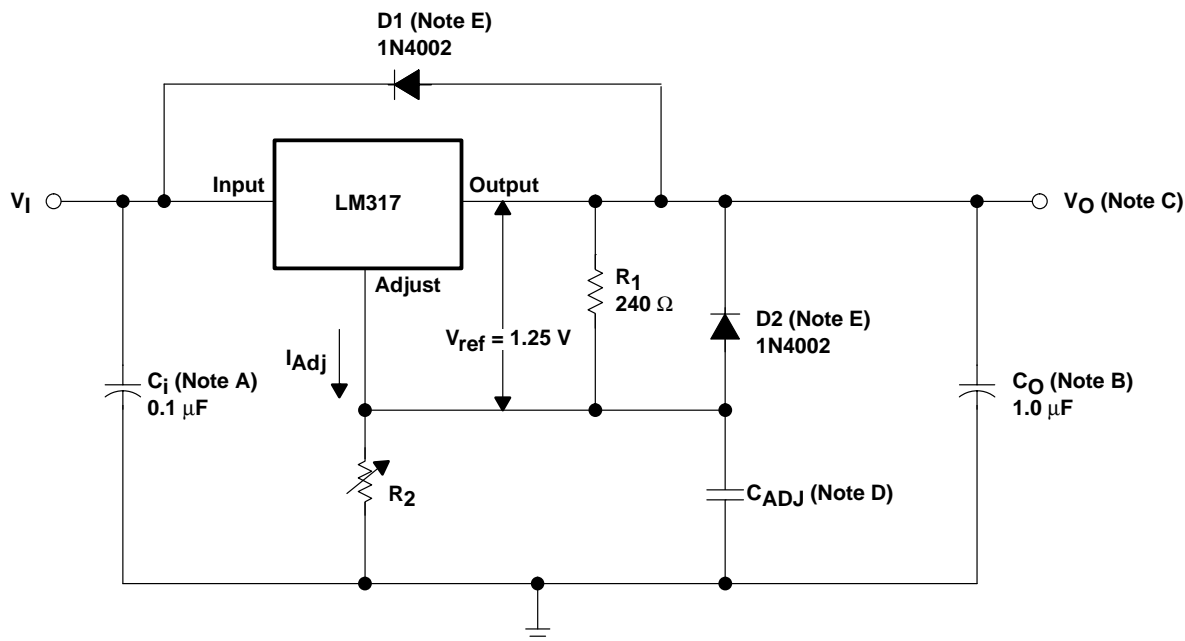


# LM317

## 3-TERMINAL ADJUSTABLE REGULATOR

SLVS044O – SEPTEMBER 1997 – REVISED JULY 2003

### APPLICATION INFORMATION



NOTES: A.  $C_i$  is not required, but is recommended, particularly if the regulator is not in close proximity to the power-supply filter capacitors. A 0.1- $\mu\text{F}$  disc or 1- $\mu\text{F}$  tantalum provides sufficient bypassing for most applications, especially when adjustment and output capacitors are used.

B.  $C_O$  improves transient response, but is not needed for stability.

C.  $V_O$  is calculated as shown:

$$V_O = V_{\text{ref}} \left( 1 + \frac{R_2}{R_1} \right) + (I_{\text{Adj}} \times R_2)$$

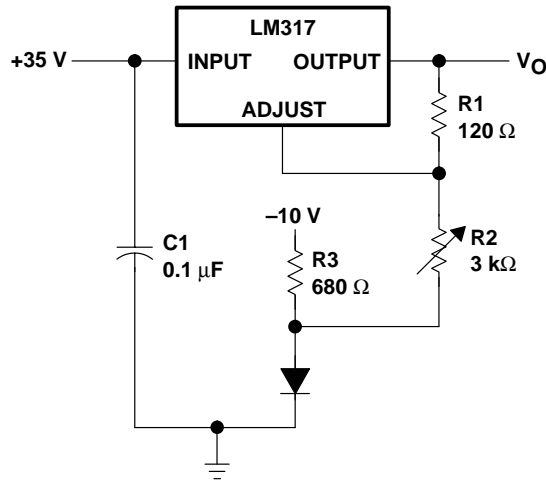
Because  $I_{\text{Adj}}$  typically is 50  $\mu\text{A}$ , it is negligible in most applications.

D.  $C_{\text{ADJ}}$  is used to improve ripple rejection; it prevents amplification of the ripple as the output voltage is adjusted higher. If  $C_{\text{ADJ}}$  is used, it is best to include protection diodes.

E. If the input is shorted to ground during a fault condition, protection diodes provide measures to prevent the possibility of external capacitors discharging through low-impedance paths in the IC. By providing low-impedance discharge paths for  $C_O$  and  $C_{\text{ADJ}}$ , respectively, D1 and D2 prevent the capacitors from discharging into the output of the regulator.

**Figure 1. Adjustable Voltage Regulator**

APPLICATION INFORMATION

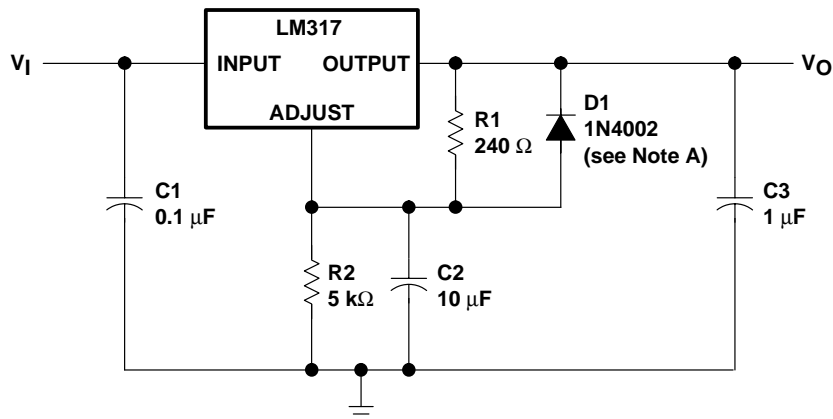


$V_O$  is calculated as:

$$V_O = V_{ref} \left( 1 + \frac{R2 + R3}{R1} \right) + I_{Adj}(R2 + R3) - 10 \text{ V}$$

Since  $I_{Adj}$  typically is  $50 \mu\text{A}$ , it is negligible in most applications.

Figure 2. 0-V to 30-V Regulator Circuit



NOTE A: D1 discharges C2 if the output is shorted to ground.

Figure 3. Adjustable Regulator Circuit With Improved Ripple Rejection

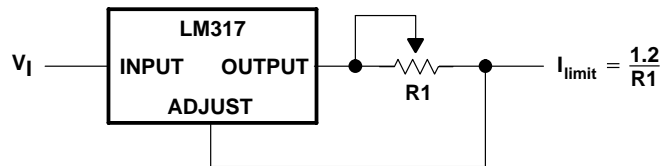


Figure 4. Precision Current-Limiter Circuit

# LM317 3-TERMINAL ADJUSTABLE REGULATOR

SLVS044O – SEPTEMBER 1997 – REVISED JULY 2003

## APPLICATION INFORMATION

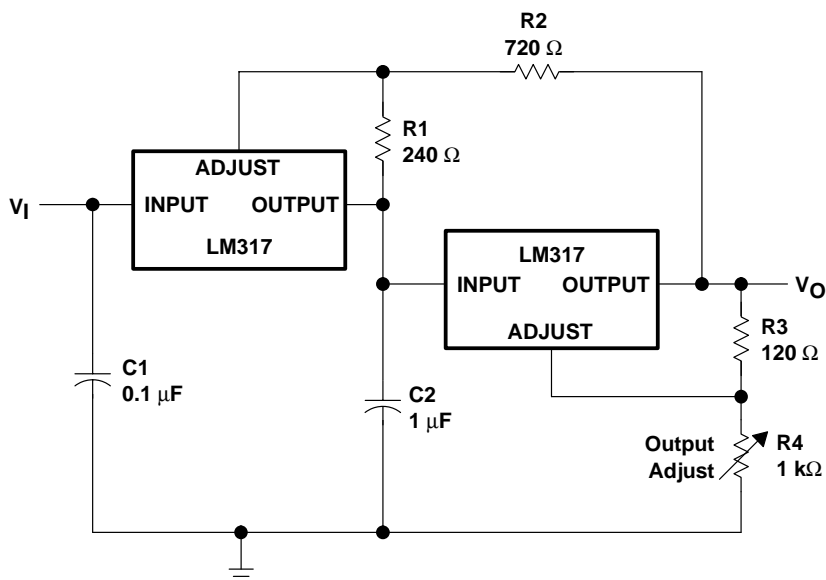


Figure 5. Tracking Preregulator Circuit

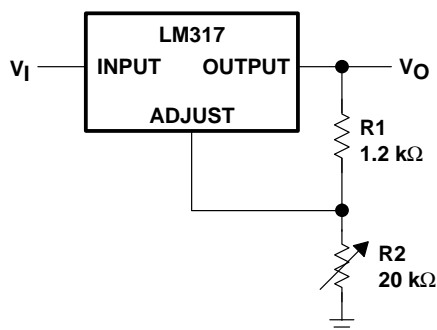
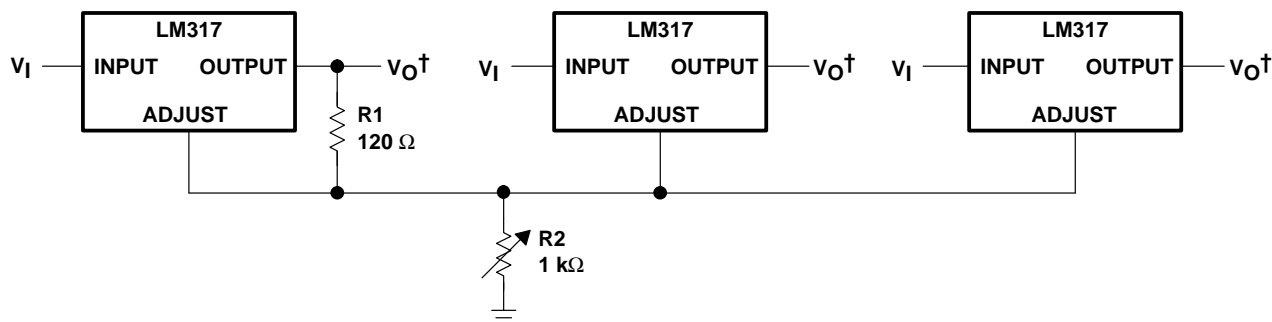


Figure 6. 1.25-V to 20-V Regulator Circuit With Minimum Program Current

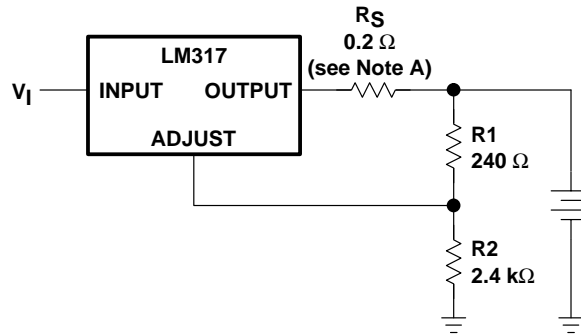


† Minimum load current from each output is 10 mA. All output voltages are within 200 mV of each other.

Figure 7. Adjusting Multiple On-Card Regulators With a Single Control



APPLICATION INFORMATION



NOTE A:  $R_S$  controls the output impedance of the charger.

$$Z_{OUT} = R_S \left( 1 + \frac{R_2}{R_1} \right)$$

The use of  $R_S$  allows for low charging rates with a fully charged battery.

Figure 8. Battery-Charger Circuit

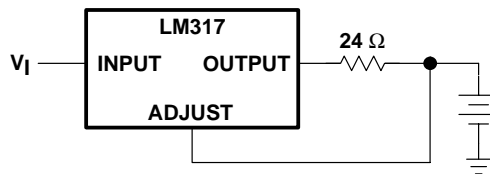


Figure 9. 50-mA Constant-Current Battery-Charger Circuit

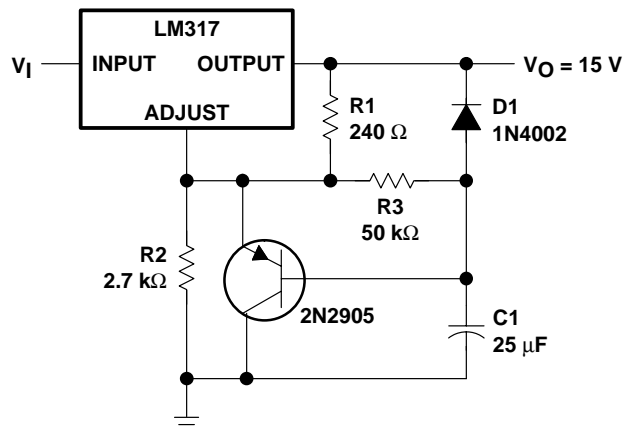


Figure 10. Slow-Turn-On 15-V Regulator Circuit

# LM317 3-TERMINAL ADJUSTABLE REGULATOR

SLVS0440 – SEPTEMBER 1997 – REVISED JULY 2003

## APPLICATION INFORMATION

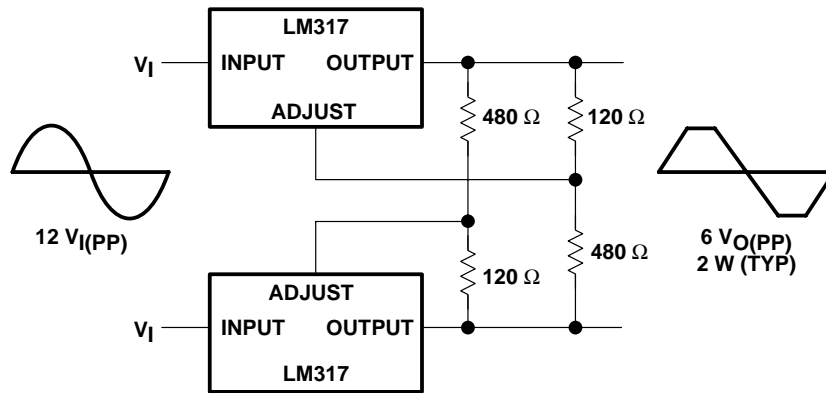
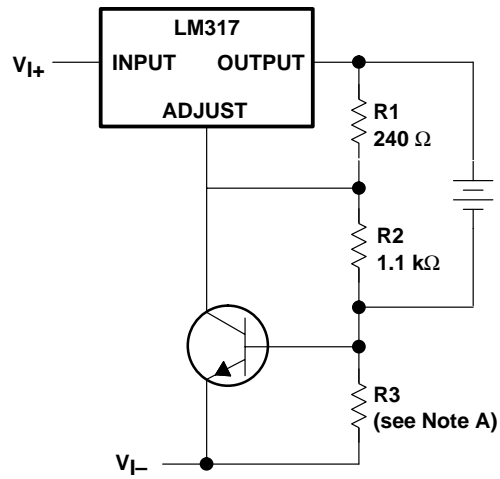


Figure 11. AC Voltage-Regulator Circuit



NOTE A: R3 sets the peak current (0.6 A for a 1-Ω resistor).

Figure 12. Current-Limited 6-V Charger Circuit



APPLICATION INFORMATION

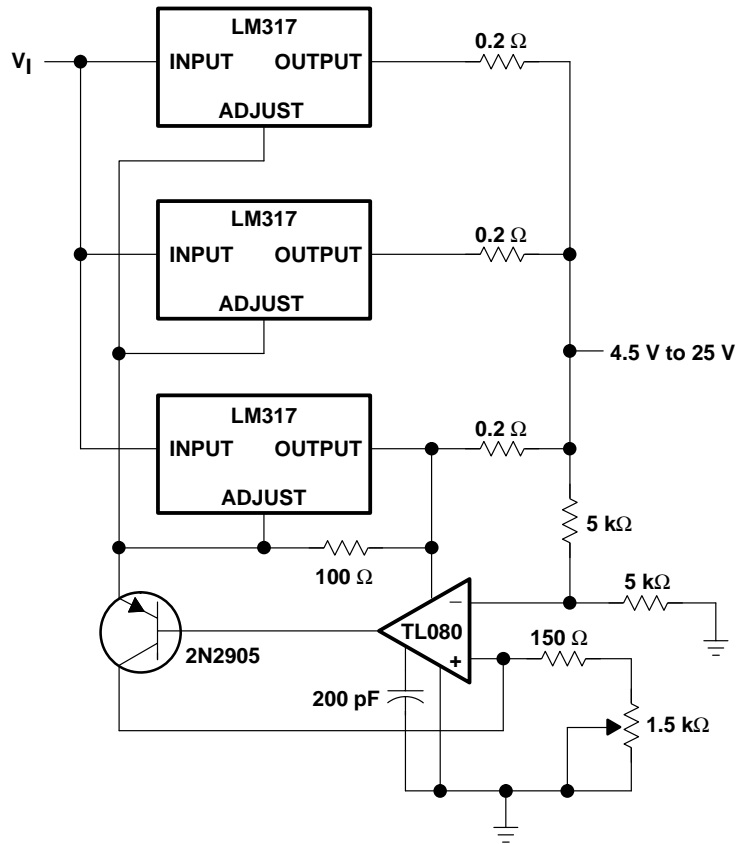
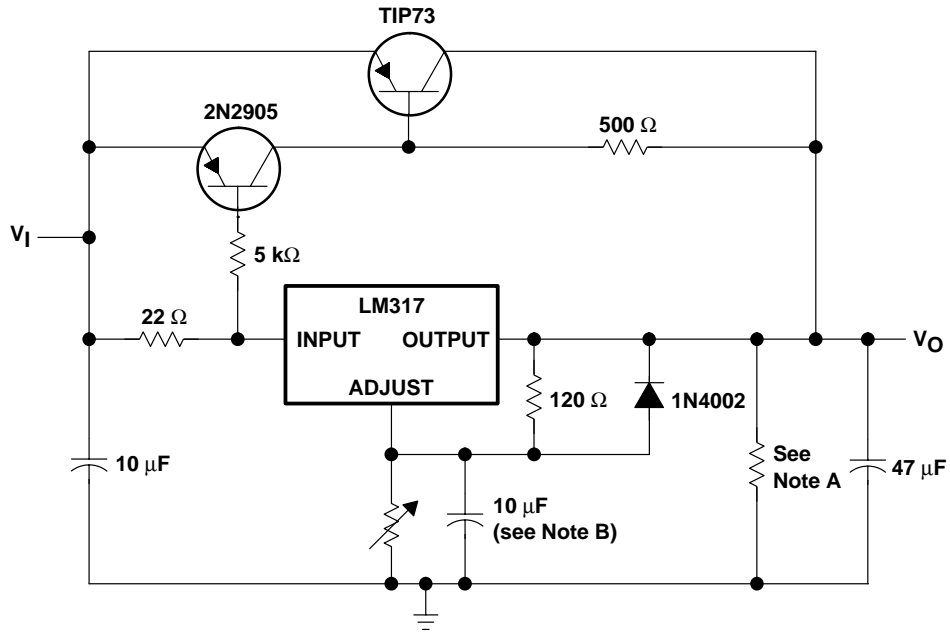


Figure 13. Adjustable 4-A Regulator Circuit

# LM317 3-TERMINAL ADJUSTABLE REGULATOR

SLVS044O – SEPTEMBER 1997 – REVISED JULY 2003

## APPLICATION INFORMATION



- NOTES: A. The minimum load current is 30 mA.  
B. This optional capacitor improves ripple rejection.

Figure 14. High-Current Adjustable Regulator Circuit

DCY (R-PDSO-G4)

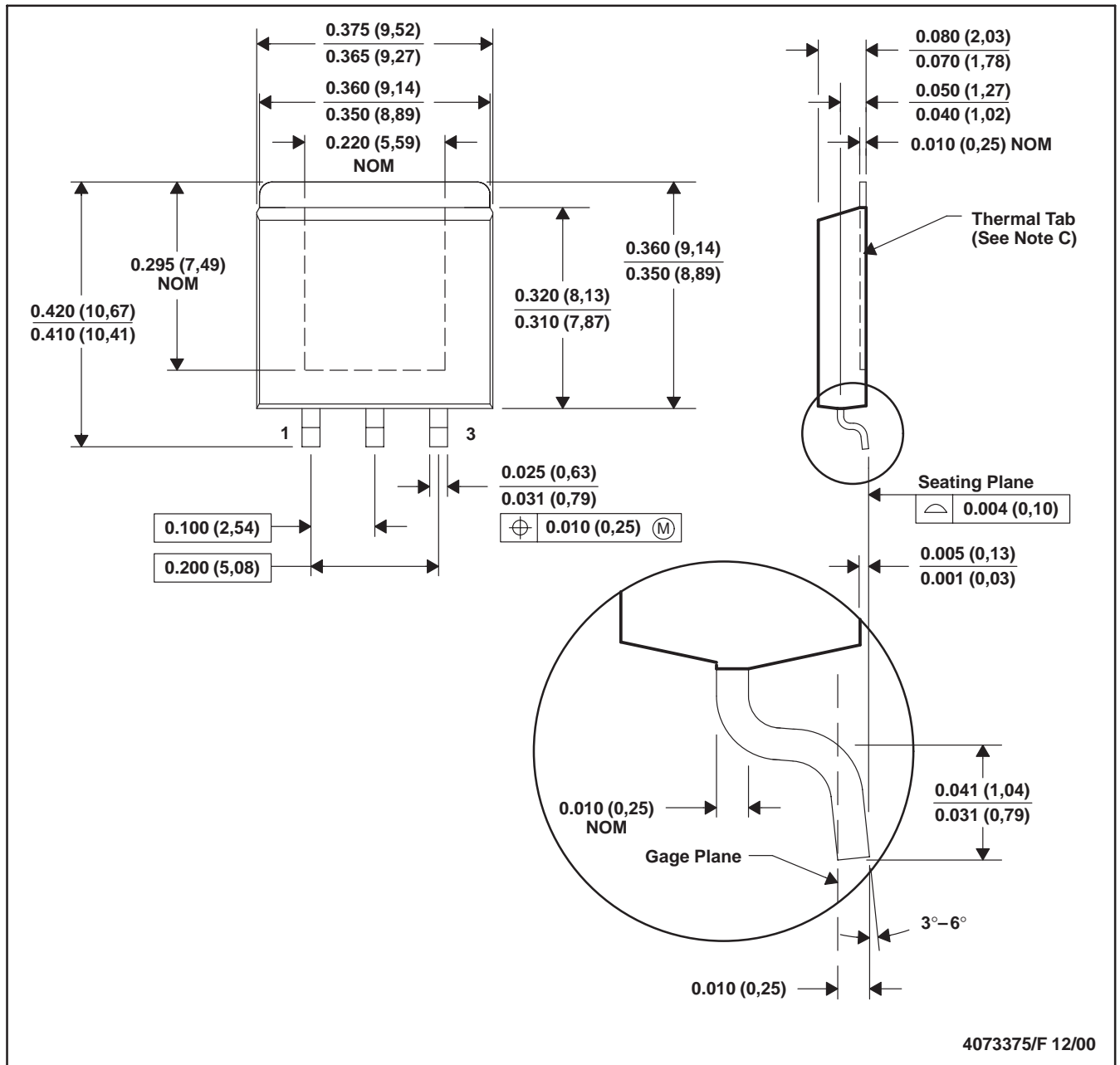
PLASTIC SMALL-OUTLINE



- NOTES: A. All linear dimensions are in millimeters (inches).  
 B. This drawing is subject to change without notice.  
 C. Body dimensions do not include mold flash or protrusion.  
 D. Falls within JEDEC TO-261 Variation AA.

KTE (R-PSFM-G3)

PowerFLEX™ PLASTIC FLANGE-MOUNT



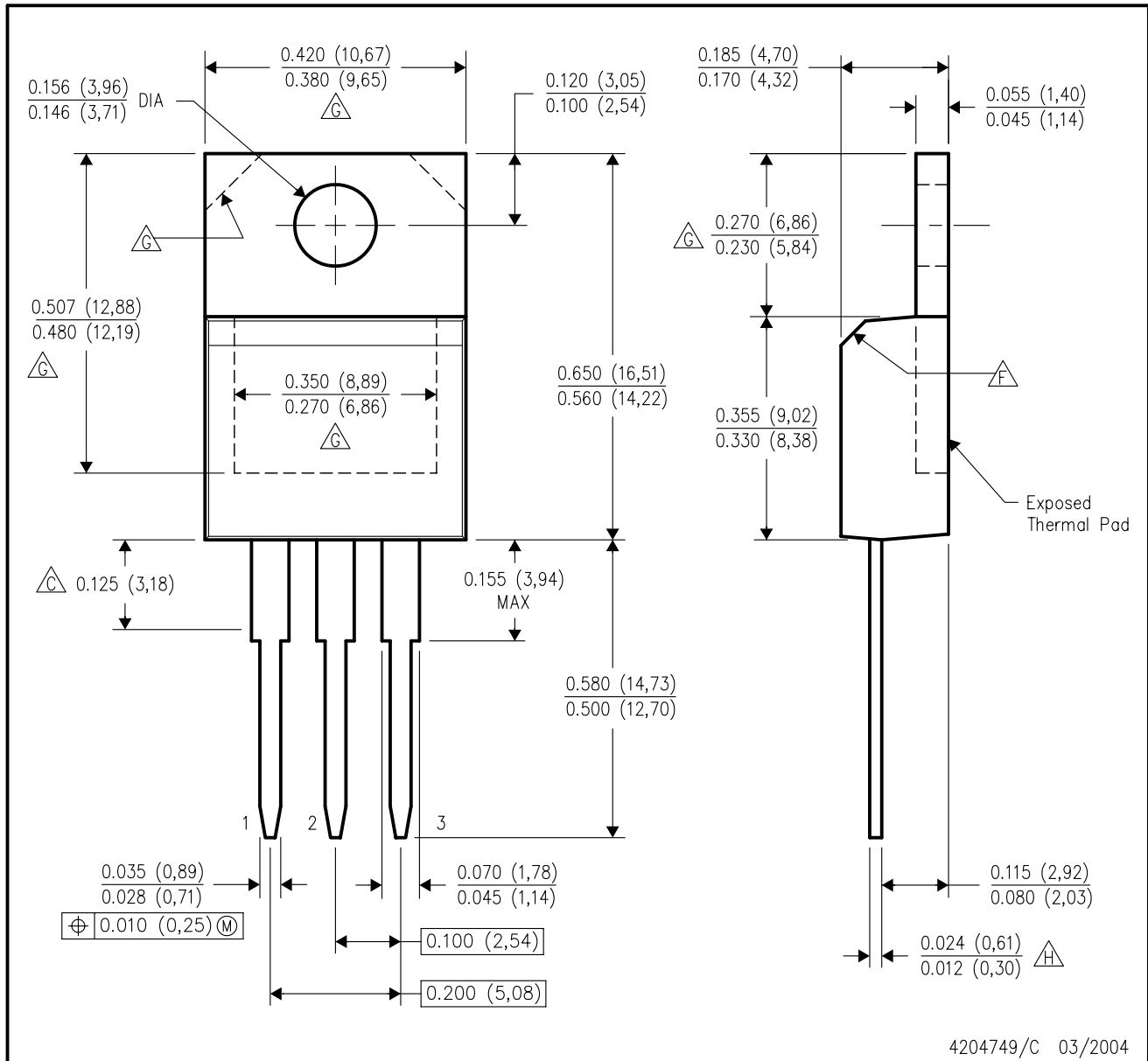
- NOTES: A. All linear dimensions are in inches (millimeters).  
 B. This drawing is subject to change without notice.  
 C. The center lead is in electrical contact with the thermal tab.  
 D. Dimensions do not include mold protrusions, not to exceed 0.006 (0,15).  
 E. Falls within JEDEC MO-169

PowerFLEX is a trademark of Texas Instruments.



KCS (R-PSFM-T3)

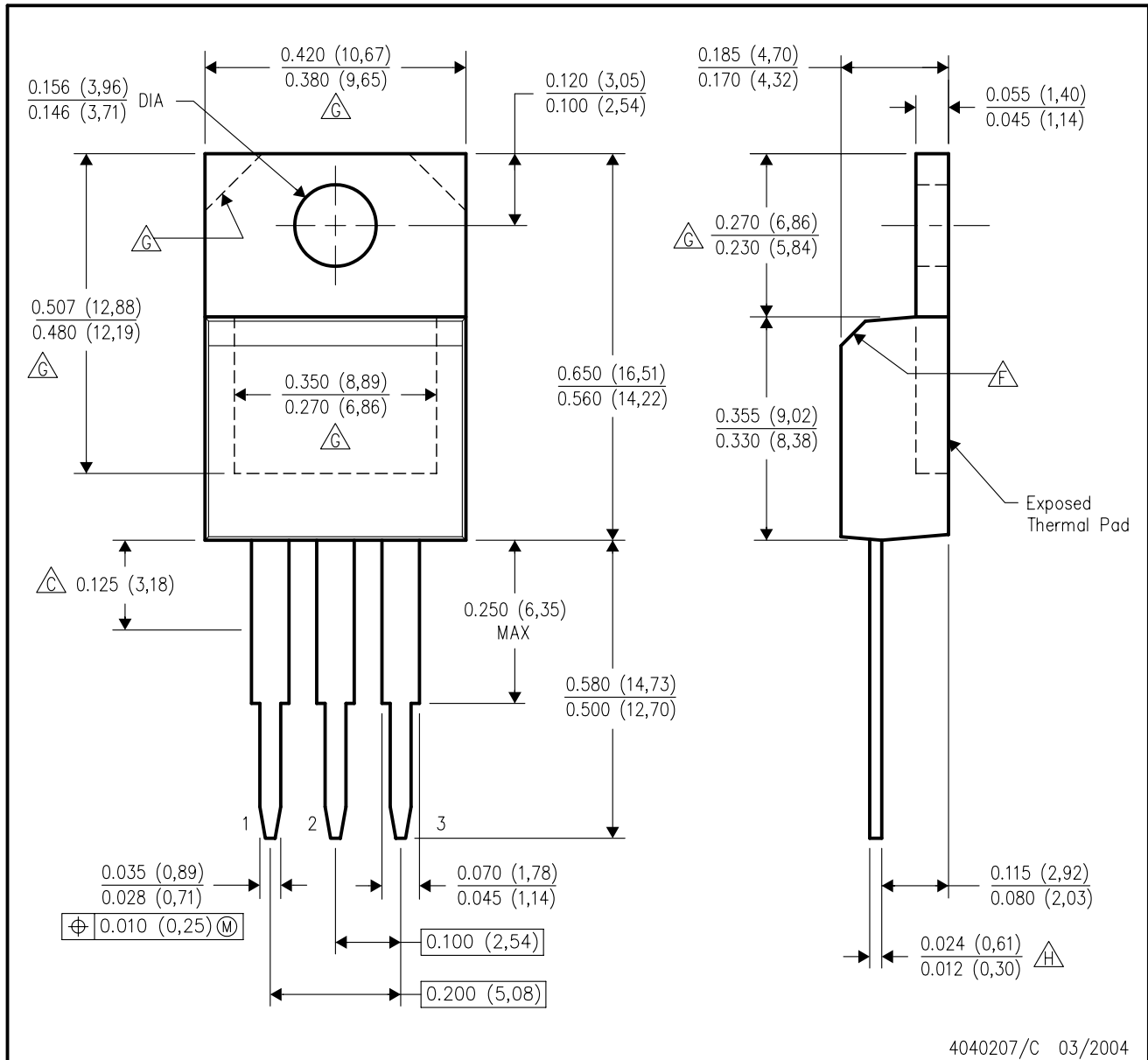
PLASTIC FLANGE-MOUNT PACKAGE



- NOTES:
- A. All linear dimensions are in inches (millimeters).
  - B. This drawing is subject to change without notice.
  - △ Lead dimensions are not controlled within this area.
  - D. All lead dimensions apply before solder dip.
  - E. The center lead is in electrical contact with the mounting tab.
  - △ The chamfer is optional.
  - △ Thermal pad contour optional within these dimensions.
  - △ Falls within JEDEC TO-220 variation AB, except minimum lead thickness.

KC (R-PSFM-T3)

PLASTIC FLANGE-MOUNT PACKAGE



- NOTES:
- A. All linear dimensions are in inches (millimeters).
  - B. This drawing is subject to change without notice.
  - C. Lead dimensions are not controlled within this area.
  - D. All lead dimensions apply before solder dip.
  - E. The center lead is in electrical contact with the mounting tab.
  - F. The chamfer is optional.
  - G. Thermal pad contour optional within these dimensions.
  - H. Falls within JEDEC TO-220 variation AB, except minimum lead thickness.

## IMPORTANT NOTICE

Texas Instruments Incorporated and its subsidiaries (TI) reserve the right to make corrections, modifications, enhancements, improvements, and other changes to its products and services at any time and to discontinue any product or service without notice. Customers should obtain the latest relevant information before placing orders and should verify that such information is current and complete. All products are sold subject to TI's terms and conditions of sale supplied at the time of order acknowledgment.

TI warrants performance of its hardware products to the specifications applicable at the time of sale in accordance with TI's standard warranty. Testing and other quality control techniques are used to the extent TI deems necessary to support this warranty. Except where mandated by government requirements, testing of all parameters of each product is not necessarily performed.

TI assumes no liability for applications assistance or customer product design. Customers are responsible for their products and applications using TI components. To minimize the risks associated with customer products and applications, customers should provide adequate design and operating safeguards.

TI does not warrant or represent that any license, either express or implied, is granted under any TI patent right, copyright, mask work right, or other TI intellectual property right relating to any combination, machine, or process in which TI products or services are used. Information published by TI regarding third-party products or services does not constitute a license from TI to use such products or services or a warranty or endorsement thereof. Use of such information may require a license from a third party under the patents or other intellectual property of the third party, or a license from TI under the patents or other intellectual property of TI.

Reproduction of information in TI data books or data sheets is permissible only if reproduction is without alteration and is accompanied by all associated warranties, conditions, limitations, and notices. Reproduction of this information with alteration is an unfair and deceptive business practice. TI is not responsible or liable for such altered documentation.

Resale of TI products or services with statements different from or beyond the parameters stated by TI for that product or service voids all express and any implied warranties for the associated TI product or service and is an unfair and deceptive business practice. TI is not responsible or liable for any such statements.

Following are URLs where you can obtain information on other Texas Instruments products and application solutions:

| <b>Products</b>  |                                                                    | <b>Applications</b> |                                                                          |
|------------------|--------------------------------------------------------------------|---------------------|--------------------------------------------------------------------------|
| Amplifiers       | <a href="http://amplifier.ti.com">amplifier.ti.com</a>             | Audio               | <a href="http://www.ti.com/audio">www.ti.com/audio</a>                   |
| Data Converters  | <a href="http://dataconverter.ti.com">dataconverter.ti.com</a>     | Automotive          | <a href="http://www.ti.com/automotive">www.ti.com/automotive</a>         |
| DSP              | <a href="http://dsp.ti.com">dsp.ti.com</a>                         | Broadband           | <a href="http://www.ti.com/broadband">www.ti.com/broadband</a>           |
| Interface        | <a href="http://interface.ti.com">interface.ti.com</a>             | Digital Control     | <a href="http://www.ti.com/digitalcontrol">www.ti.com/digitalcontrol</a> |
| Logic            | <a href="http://logic.ti.com">logic.ti.com</a>                     | Military            | <a href="http://www.ti.com/military">www.ti.com/military</a>             |
| Power Mgmt       | <a href="http://power.ti.com">power.ti.com</a>                     | Optical Networking  | <a href="http://www.ti.com/opticalnetwork">www.ti.com/opticalnetwork</a> |
| Microcontrollers | <a href="http://microcontroller.ti.com">microcontroller.ti.com</a> | Security            | <a href="http://www.ti.com/security">www.ti.com/security</a>             |
|                  |                                                                    | Telephony           | <a href="http://www.ti.com/telephony">www.ti.com/telephony</a>           |
|                  |                                                                    | Video & Imaging     | <a href="http://www.ti.com/video">www.ti.com/video</a>                   |
|                  |                                                                    | Wireless            | <a href="http://www.ti.com/wireless">www.ti.com/wireless</a>             |

Mailing Address: Texas Instruments  
Post Office Box 655303 Dallas, Texas 75265

Copyright © 2004, Texas Instruments Incorporated