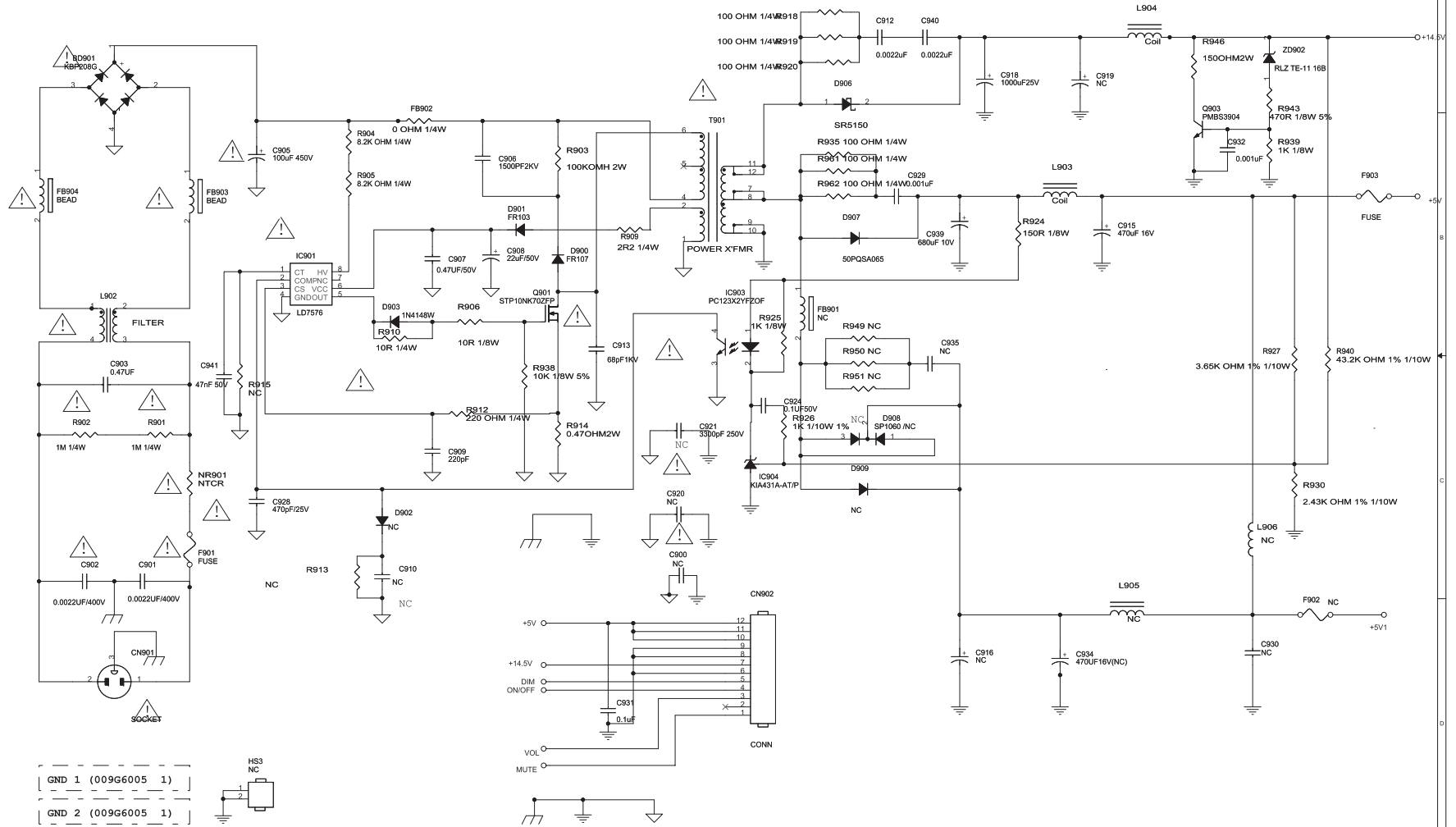
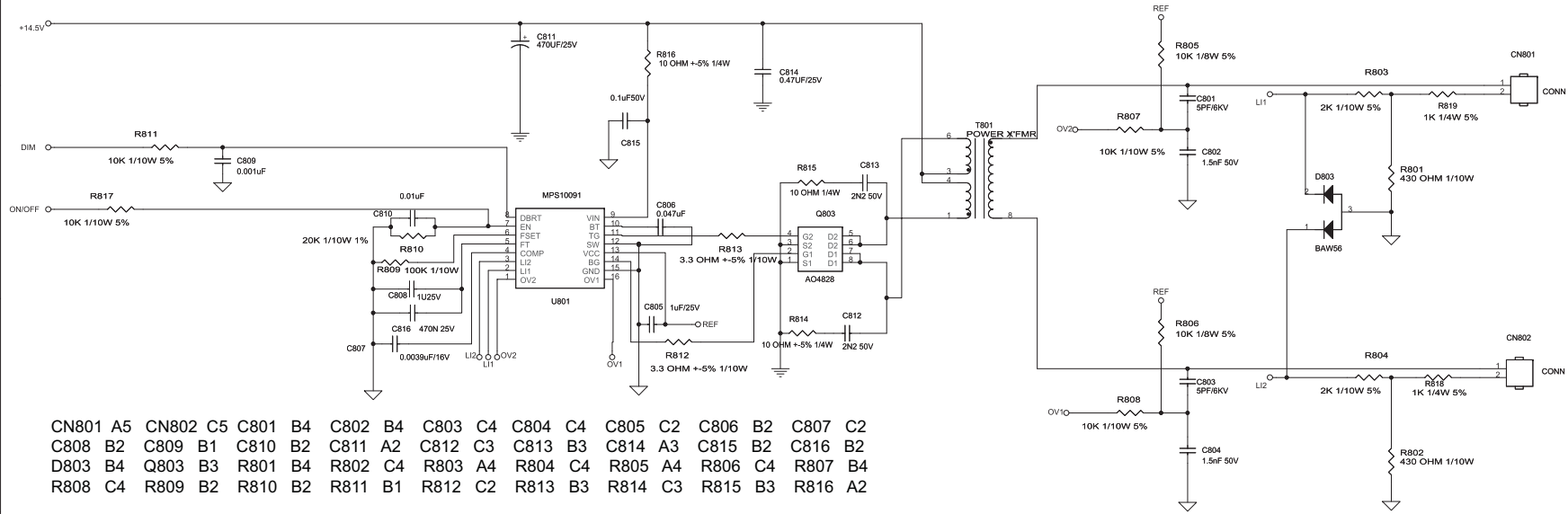


# POWER

BD901 A1 CN901 D1 CN902 C3 C900 C3 C901 C1 C902 C1 C903 C1 C905 B1 C906 B2 C907 B2 C908 B2 C909 C2 C910 C2 C912 A4 C913 B3 C915 B4  
 C916 D4 C918 A4 C919 A4 C920 C3 C921 C3 C924 C3 C928 C1 C929 B4 C930 D5 C931 D3 C932 B5 C934 D4 C935 B4 C939 B4 C940 A4 C941 C1  
 D900 B2 D901 B2 D902 C2 D903 B2 D906 A3 D907 B3 D908 C3 D909 C3 FB901 B3 FB902 A2 FB903 B1 FB904 B1 F901 C1 F902 C5 F903 B5 HS3 D1  
 IC901 B2 IC903 B3 IC904 C3 L902 B1 L903 B4 L904 A4 L905 C4 L906 C5 NR901 C1 Q901 B2 Q903 B5 R901 C1 R902 C1 R903 B2 R904 B2 R905 B2  
 R906 B2 R909 B3 R910 B2 R912 C2 R913 C2 R914 C2 R915 B1 R918 A3 R919 A3 R920 A3 R924 B4 R925 B3 R926 C3 R927 B5 R930 C5 R935 B3



# INVERTER



CN801	A5	CN802	C5	C801	B4	C802	B4	C803	C4	C804	C4	C805	C2	C806	B2	C807	C2
C808	B2	C809	B1	C810	B2	C811	A2	C812	C3	C813	B3	C814	A3	C815	B2	C816	B2
D803	B4	Q803	B3	R801	B4	R802	C4	R803	A4	R804	C4	R805	A4	R806	C4	R807	B4
R808	C4	R809	B2	R810	B2	R811	B1	R812	C2	R813	B3	R814	C3	R815	B3	R816	A2