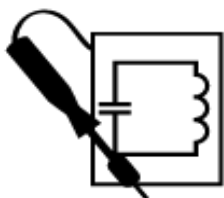


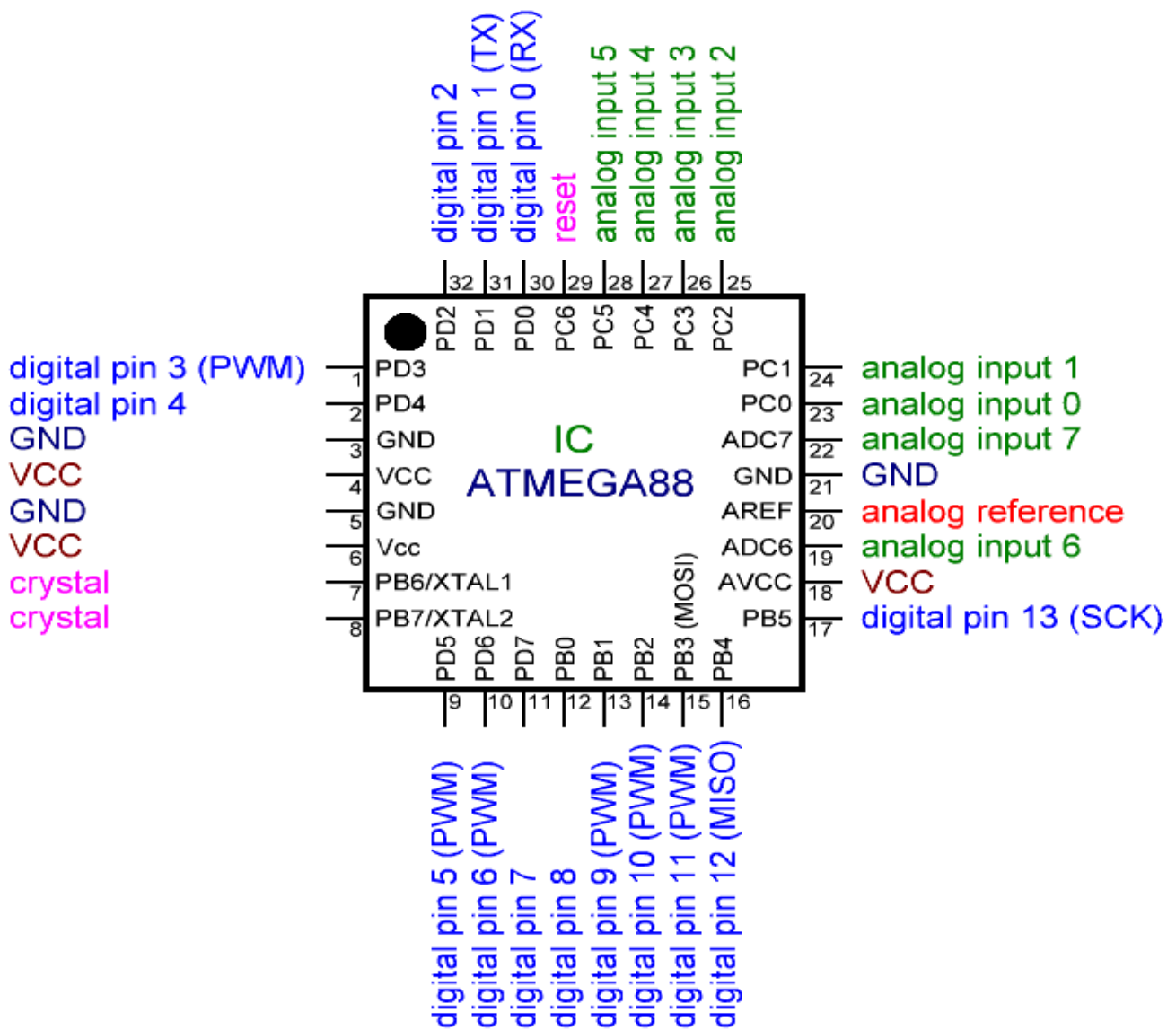
## Arduino Pins VS MCU ATmega88 Pins

Arduino	MCU Pin	MCU Port
0	30	PD0
1	31	PD1
2	32	PD2
3	1	PD3
4	2	PD4
5	9	PD5
6	10	PD6
7	11	PD7
8	12	PB0
9	13	PB1
10	14	PB2
11	15	PB3
12	16	PB4
13	17	PB5
A0	23	PC0
A1	24	PC1
A2	25	PC2
A3	26	PC3
A4	27	PC4
A5	28	PC5
A6	19	ADC6
A7	22	ADC7



**cxem.net**

by Andro



by Andro